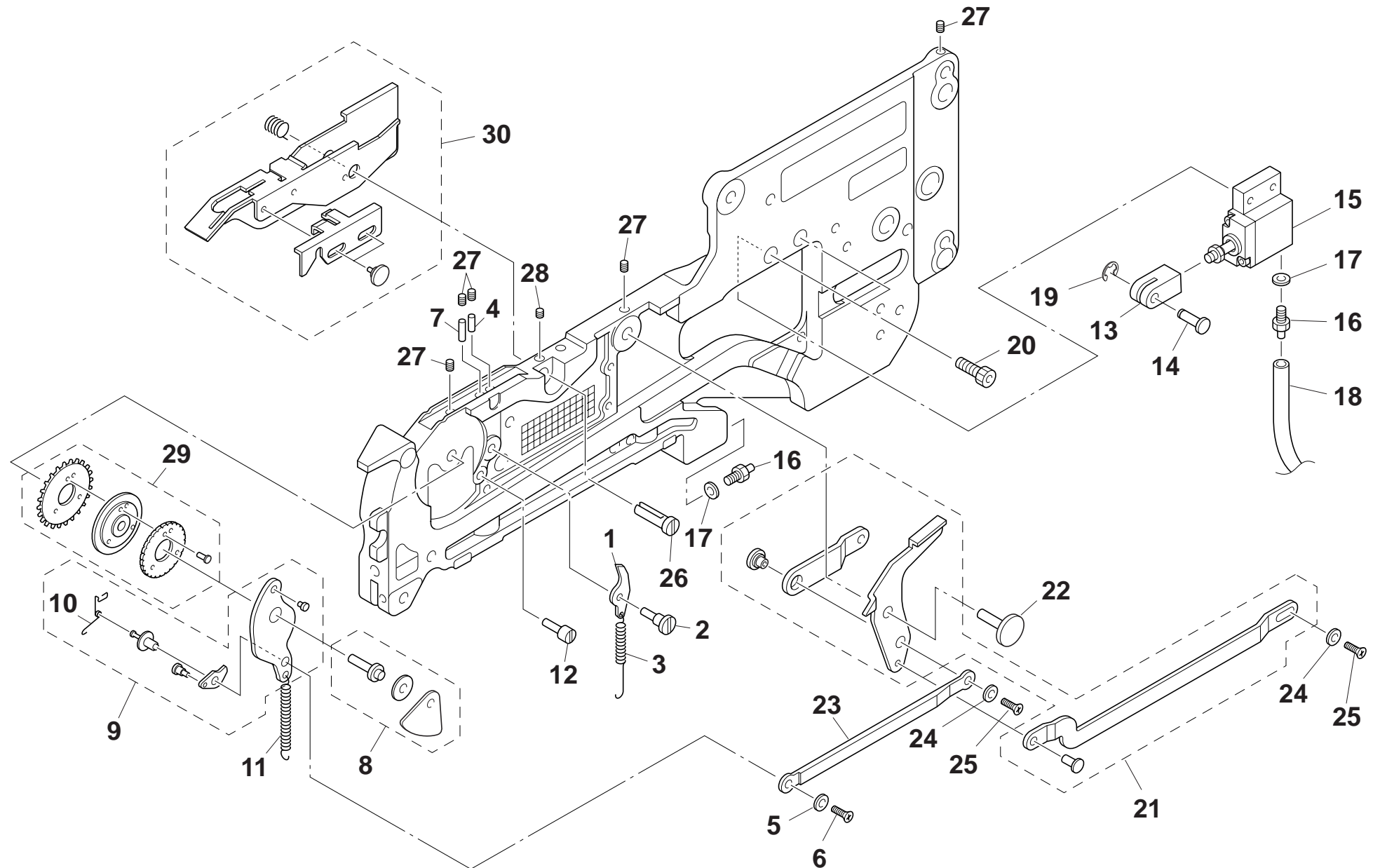


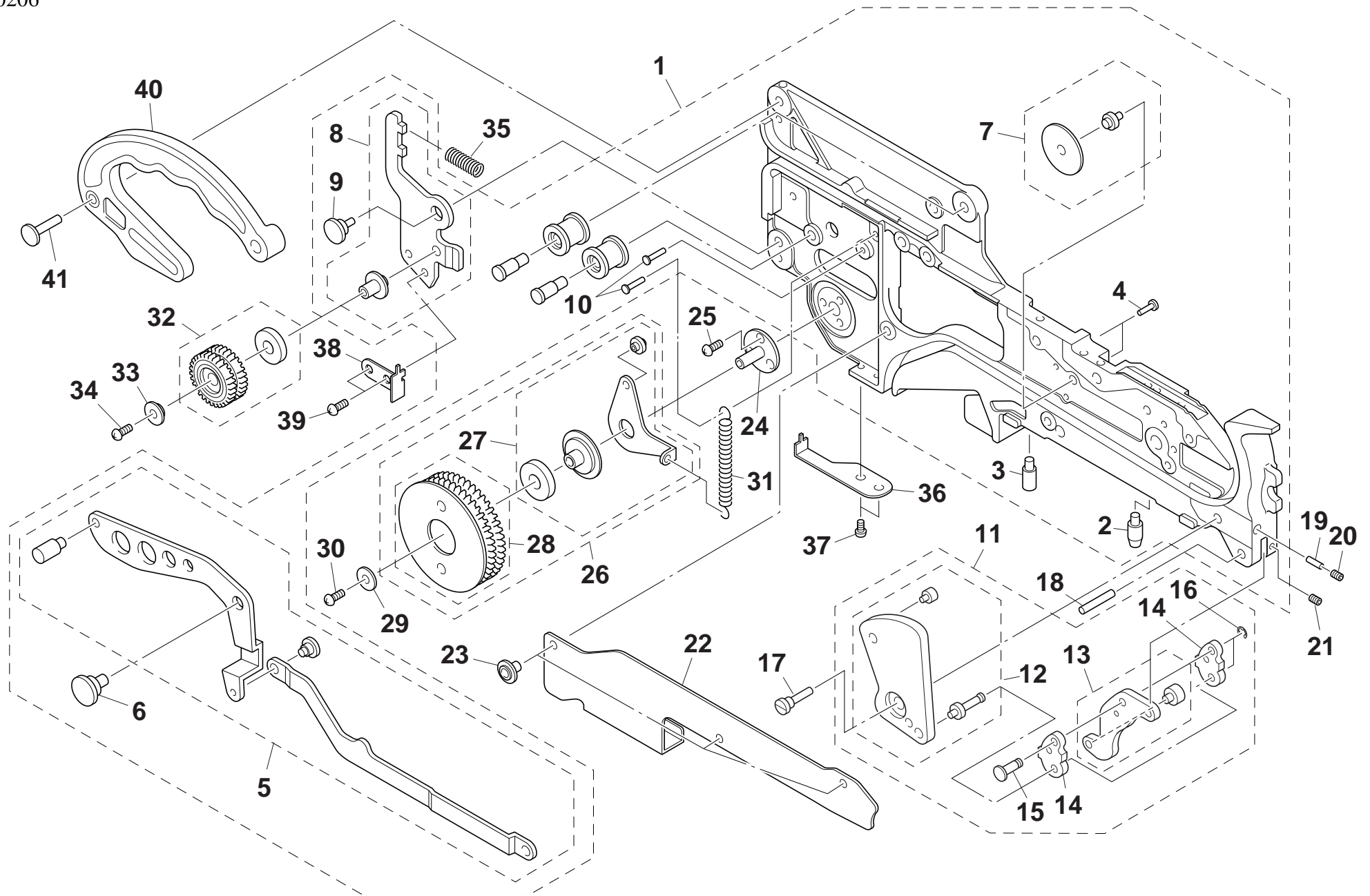
KW1-0206



No.	Part No.	Part Name	Q'ty	Remarks
1	K87-M111H-20X	BACK STOPPER	1	
2	K87-M111B-00X	BACK STOPPER AXIS	1	
3	KW1-M111A-00X	SPRING	1	
4	K87-M111G-10X	PUSH PIN	1	
5	K87-M111C-00X	PLANE WASHER	1	
6	K87-M111P-00X	SCREW,FLAT HEAD +	1	
7	K87-M111D-00X	PUSH PIN	1	
8	K87-M112L-10X	SPROCKET AXIS ASSY	1	
9	KW1-M112A-00X	RACKING LEVER ASSY	1	
10	K87-M112D-10X	COIL SPRING	1	
11	KW1-M111E-00X	SPRING	1	
12	K87-M111F-10X	STOPPER PIN	1	
13	K87-M1181-00X	ROD CONNECT	1	
14	K87-M1184-00X	CONNECT PIN	1	
15	KW1-M1185-00X	MULTI CYLINDER	1	
16	KW1-M111L-00X	BARB CONNECTOR	2	
17	K87-M111M-00X	GASKET	2	
18	KW1-M11B1-00X	AIR HOSE	1	L70
19	K87-M11B9-00X	CIRCLIP E	1	
20	KW1-M11B6-00X	BOLT,HEX SOCKET HEAD	2	
21	KW1-M114A-00X	HAND LEVER ASSY	1	
22	KW1-M116K-00X	LEVER AXIS	1	
23	KW1-M1177-00X	MAIN ARM	1	
24	K87-M111C-00X	PLANE WASHER	2	
25	K87-M11BF-00X	SCREW,FLAT HEAD +IB	2	
26	KW1-M114N-00X	GUIDE AXIS	1	
27	K87-M111R-00X	SCREW,SET	5	
28	K87-M111X-00X	SCREW,SET	1	
29	KW1-M1120-00X	SPROCKET ASSY	1	
30	KW1-M1140-00X	TAPE GUIDE ASSY	1	CLY84C7
	KW1-M1740-00X	TAPE GUIDE ASSY	1	CLY84EC7
31				
32				
33				
34				
35				
36				
37				

No.	Part No.	Part Name	Q'ty	Remarks
39				
40				
41				
42				
43				
44				
45				
46				
47				
48				
49				
50				
51				
52				
53				
54				
55				
56				
57				
58				
59				
60				
61				
62				
63				
64				
65				
66				
67				
68				
69				
70				
71				
72				
73				
74				
75				
76				

KW1-0206



No.	Part No.	Part Name	Q'ty	Remarks
1	KW1-M1110-01X	BODY ASSY	1	H6601
2	KW1-M1112-00X	KNOCK PIN	1	FRONT
3	KW1-M1113-00X	KNOCK PIN	1	REAR
4	K87-M1115-00X	CIRCULAR RIVET	2	
5	KW1-M1150-00X	HANDLE LEVER ASSY	1	
6	KW1-M116F-00X	LEVER AXIS PIN	1	
7	KW1-M115D-00X	GUIDE PIN ASSY	1	
8	KW1-M116D-00X	TENSION LEVER ASSY	1	
9	KW1-M116F-00X	LEVER AXIS PIN	1	
10	K87-M1115-00X	CIRCULAR RIVET	2	
11	KW1-M1131-00X	CLAMP LEVER UNIT	1	
12	KW1-M1132-00X	CLAMP LEVER ASSY	1	
13	K87-M113A-00X	CLANK ARM ASSY	1	
14	K87-M113D-00X	ARM	2	
15	K87-M113E-00X	HINGE PIN 2	1	
16	K87-M11D7-00X	CIRCLIP E	2	
17	K87-M113L-10X	CLAMP LEVER AXIS	1	
18	K87-M113M-00X	AXIS PIN	1	
19	K87-M113H-00X	PUSH PIN	1	
20	K87-M111V-00X	SCREW,SET	1	
21	K87-M111R-00X	SCREW,SET	1	
22	KW1-M114L-00X	COVER	1	
23	KW1-M111T-00X	SCREW,THIN HEAD	3	
24	KW1-M116J-00X	METAL SHAFT	1	
25	K87-M11BA-00X	SCREW,FLAT HEAD +	3	
26	KW1-M1191-00X	DRIVE ROLLER UNIT	1	
27	KW1-M1192-00X	INDENTATION LVR ASSY	1	
28	KW1-M119F-00X	DRIVE ROLLER ASSY	1	
29	K87-M117B-00X	PLANE WASHER	1	
30	K87-M11BB-00X	SCREW,FLAT HEAD + IB	1	
31	KW1-M119K-00X	SPRING	1	
32	KW1-M119L-00X	IDLE ROLLER ASSY	1	
33	KW1-M119R-00X	COLLAR	1	
34	K87-M21BB-00X	SCREW,TRUSS HEAD	1	
35	KW1-M119P-00X	SPRING	1	
36	KW1-M11A1-00X	LOWER GUIDE PLATE R	1	
37	K87-M53BS-00X	SCREW,PAN HEAD +	2	
38	KW1-M11A3-00X	LOWER GUIDE PLATE L	1	

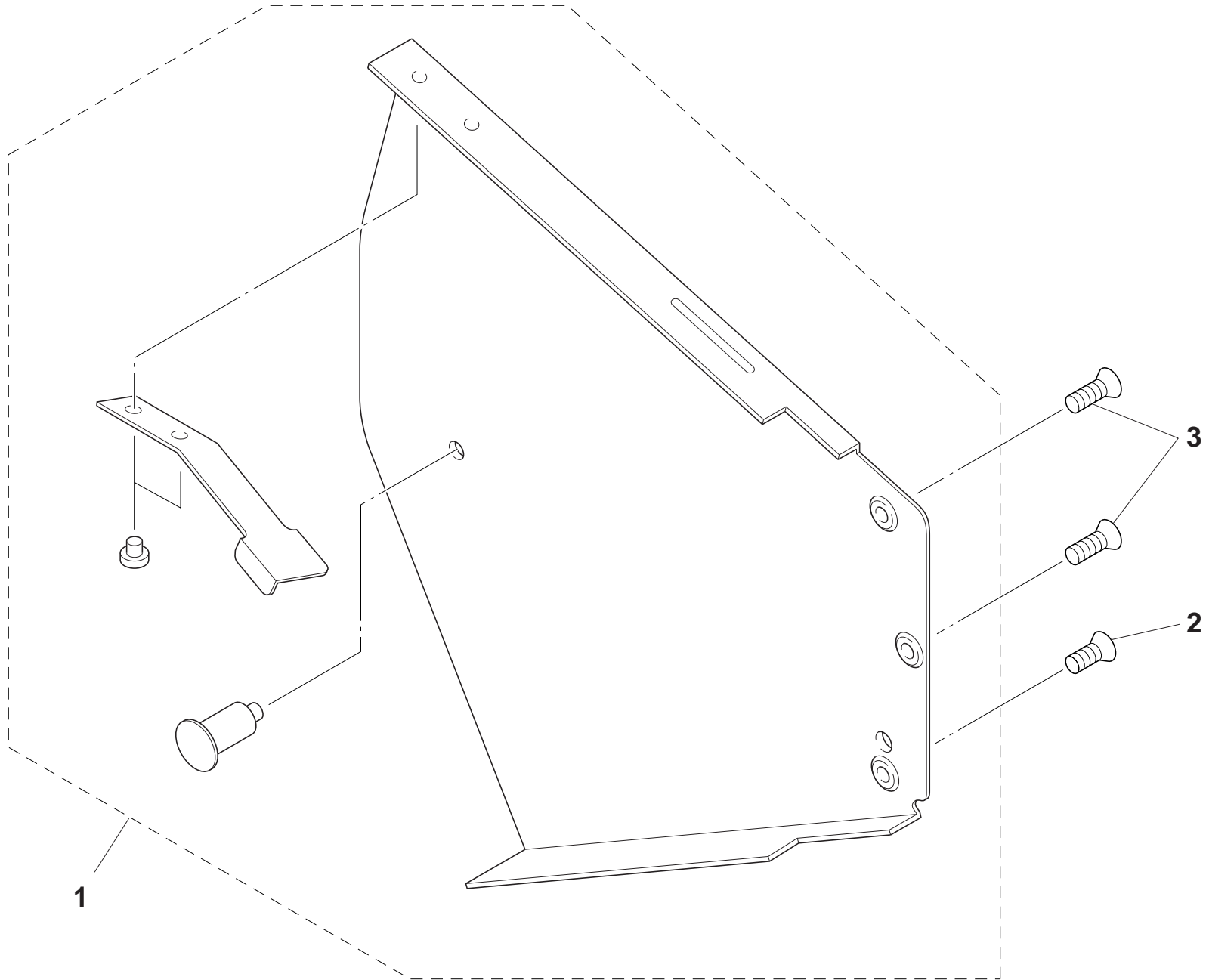
No.	Part No.	Part Name	Q'ty	Remarks
39	K87-M111N-00X	SCREW,PAN HEAD +	2	
40	KW1-M115L-00X	HOLD ARM	1	BLACK
	KW1-M175L-00X	HOLD ARM	1	GREEN + BLACK
41	KW1-M115M-00X	ARM AXIS	1	
42				
43				
44				
45				
46				
47				
48				
49				
50				
51				
52				
53				
54				
55				
56				
57				
58				
59				
60				
61				
62				
63				
64				
65				
66				
67				
68				
69				
70				
71				
72				
73				
74				
75				

1

3

CLY84-7

KW1-0206



No.	Part No.	Part Name	Q'ty	Remarks
1	KW1-M11D1-00X	REEL HOLDER ASSY	1	
2	KW1-M111S-00X	SCREW,FLAT HEAD +	1	
3	K87-M111S-00X	SCREW,FLAT HEAD +	2	
4				
5				
6				
7				
8				
9				
10				
11				
12				
13				
14				
15				
16				
17				
18				
19				
20				
21				
22				
23				
24				
25				
26				
27				
28				
29				
30				
31				
32				
33				
34				
35				
36				
37				
38				

No.	Part No.	Part Name	Q'ty	Remarks
39				
40				
41				
42				
43				
44				
45				
46				
47				
48				
49				
50				
51				
52				
53				
54				
55				
56				
57				
58				
59				
60				
61				
62				
63				
64				
65				
66				
67				
68				
69				
70				
71				
72				
73				
74				
75				
76				